



WIRELESS SOUND MADE PERFECT

DET PERFEKTA TRÅDLÖSA LJUDET

Your one stop

Audio & Visual solution

THE LIVING SERIES

 audio pro

SOUND OF SCANDINAVIA

F12A, 1st Floor

+603-614 6618

CMY

Audio & Visual



LV 1

- Small, easy to place speaker
- Stereo image from single speaker,
- Embracing Sound technology
- Remote controlled and display
- Full CD quality audio network
- 4 x 35W Class D amplifiers with DSP
- Available with or without TX100 transmitter



LV 2

- Small enclosure with amazing sound quality
- Full active wireless speaker with DSP control
- Full CD quality audio network
- 2 x 35W class D amplifier in each speaker
- Remote controlled



LV 3

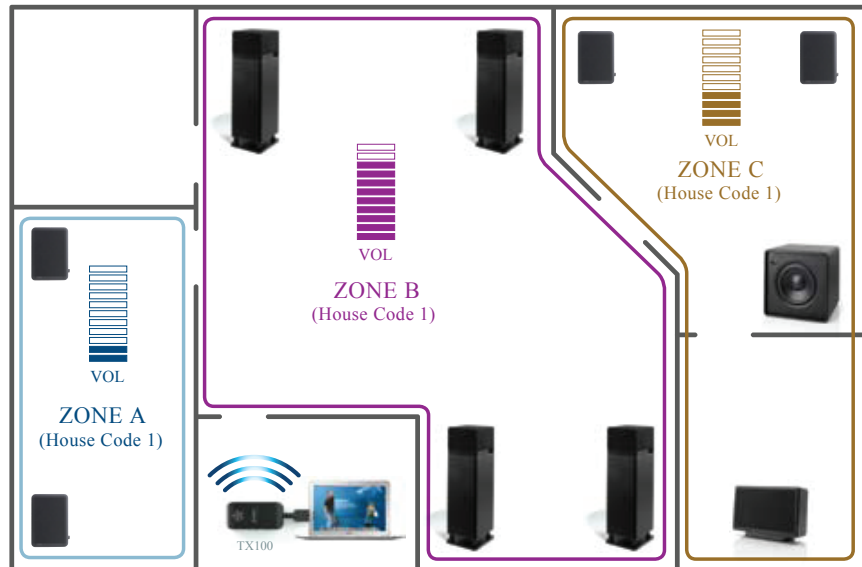
- High end full active wireless speaker
- Astounding sound quality and powerful bass
- Advanced acoustic design and technology
- Direct/reflecting sound, fills your whole room
- Full CD quality audio network
- Left, mono or right switchable
- Room adaptation: +10/- 10dB bass EQ (45Hz)
- Frequency range: 30-24.000Hz
- Remote controlled



LV SUB

- Easily add powerful bass to any LV speakers
- Automatically joins existing Audio Pro network
- Full CD quality audio network
- Volume level synchronization
- Remote controlled by all LV speakers
- 200W class D amplifier
- 8" woofer

Each channel (House Code) can have up to 3 convenient volume zones, where you can play music at different levels in different rooms.



With the three channels (House Codes), you can play 3 different soundsources wirelessly at the same time.

- Add as many Living speakers as you like to the Audio Pro network
- Play music at different volume in different rooms (zones)
- Play different music in different rooms

